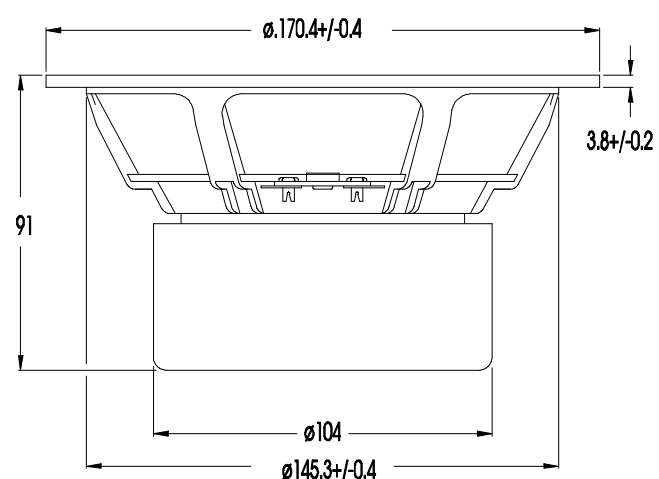
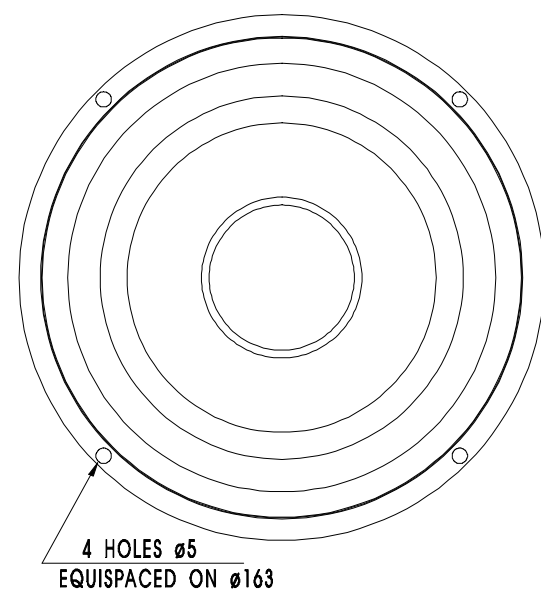


WOOFER

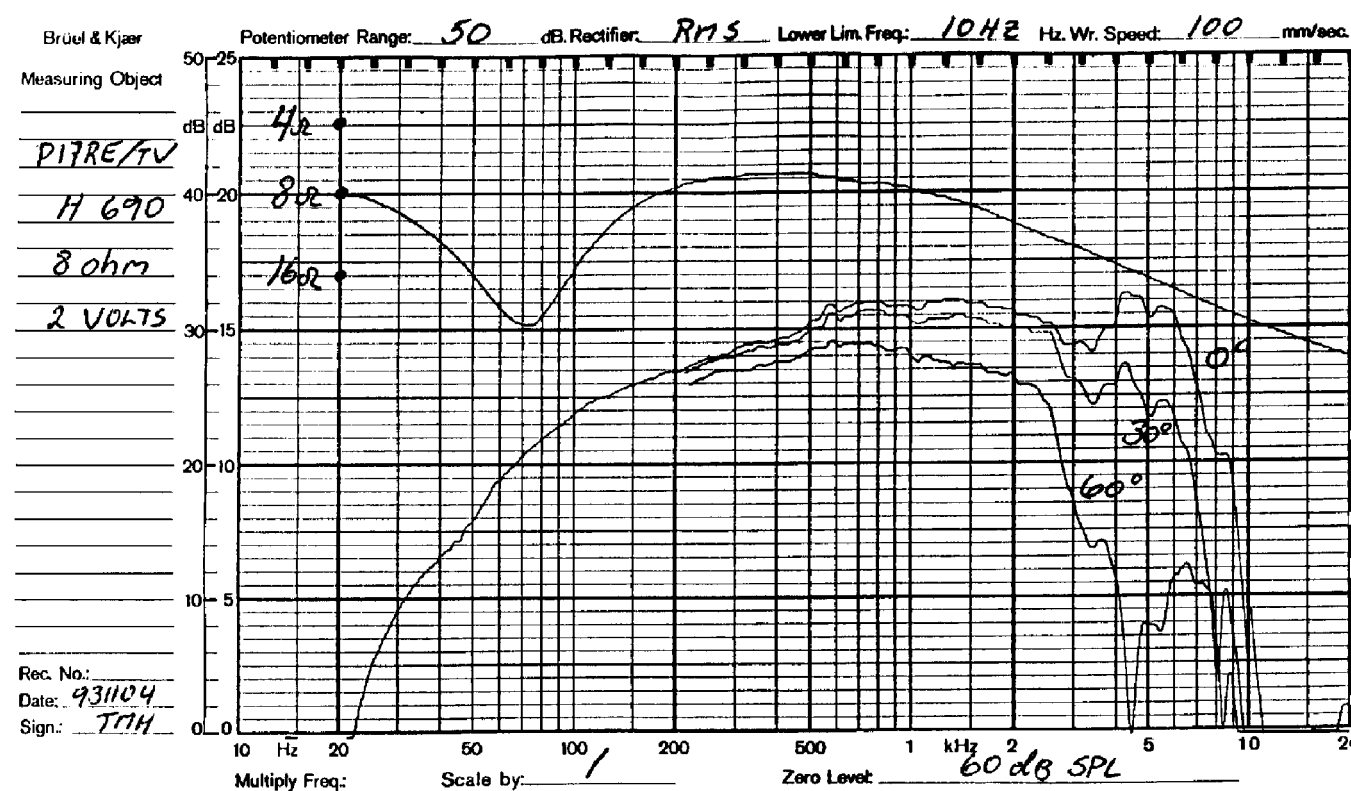
P17RE/TV



P17RE/TV is a 6,5" High Fidelity woofer with an injection moulded metal chassis. A compensation magnet and a shielding cup are mounted on the magnet system to eliminate magnetic stray fields, hence the unit can be used very close to CRT's in Audio Video applications. A polypropylene based cone, a soft PVC dust cap and a high loss rubber surround are carefully matched to each other, resulting in an outstandingly smooth frequency response. The unit has high power handling capacity due to its relatively large voice coil diameter. The magnet system has a T-shaped cross section of the pole piece for low modulation distortion.

NOTES

Response curve recorded in anechoic chamber (Free-field, 4 pi radiation) with 0.5m microphone distance. The loudspeaker is mounted in a closed box of 12 l net volume.



| | | | |
|------------------------------------|-------------|------------------------------------|-------------|
| NOMINAL IMPEDANCE | 8 Ohms | VOICE COIL RESISTANCE | 6.1 Ohms |
| RECOMMENDED FREQUENCY RANGE | 40-3000 Hz | VOICE COIL INDUCTANCE (EQUIVALENT) | 0.6 mH |
| SHORT TERM MAXIMUM POWER * | 250 W | FORCE FACTOR | 7.9 N/A |
| LONG TERM MAXIMUM POWER * | 80 W | FREE AIR RESONANCE | 34 Hz |
| CHARACTERISTIC SENSITIVITY (1W,1m) | 88.5 dB SPL | MOVING MASS | 16 g |
| OPERATING POWER (96 dB SPL, 1 m) | 5.6 W | AIR LOAD MASS IN IEC BAFFLE | 1.0 g |
| VOICE COIL DIAMETER | 39 mm | SUSPENSION COMPLIANCE | 1.4 mm/N |
| VOICE COIL HEIGHT | 12 mm | SUSPENSION MECHANICAL RESISTANCE | 3.0 Ns/m |
| AIR GAP HEIGHT | 6.0 mm | EFFECTIVE PISTON AREA | 130 sq.cm |
| LINEAR COIL TRAVEL (p-p) | 6.0 mm | | |
| MAXIMUM COIL TRAVEL (p-p) | 19 mm | VAS | 30.5 Litres |
| MAGNETIC GAP FLUX DENSITY | 0.95 T | QMS | 1.21 |
| MAGNET WEIGHT | 0.84 Kg | QES | 0.35 |
| TOTAL WEIGHT | 2.15 Kg | QTS | 0.27 |

* = IEC 268-5