



EA 21 FCY

EA 21FCY, 8" High Fidelity woofer

Chassis: magnesium, injection moulded, black.

Surround: foam.

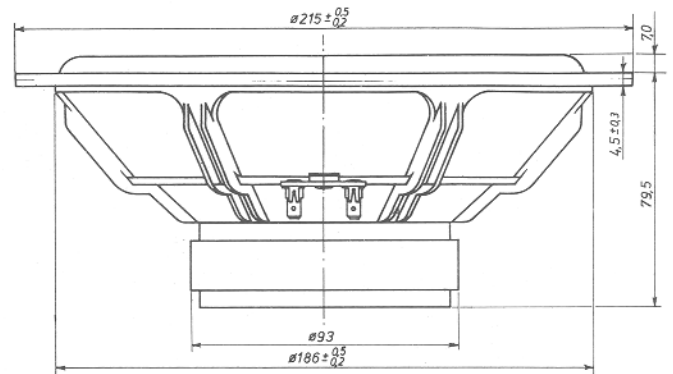
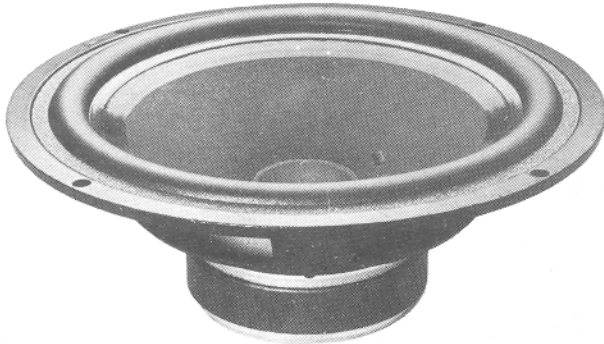
Cone: paper, edge coated.

Dust Cap: paper.

Mounting holes: 4 x 5 mm, equispaced on PCD 207 mm

The EA 21 FCY features an extra large magnet system for very high sensitivity. The 1" voice coil with a 2/1 ratio of voice coil height to top plate height yields high stability and low distortion. A careful matching of the mechanical impedance between the cone and sur-

round improves the frequency and transient response by reduction of the reflected wave magnitude in the cone. This unit is well suited for use in two and three way systems with power handling capacity of up to 70 W music power.



Technical data:

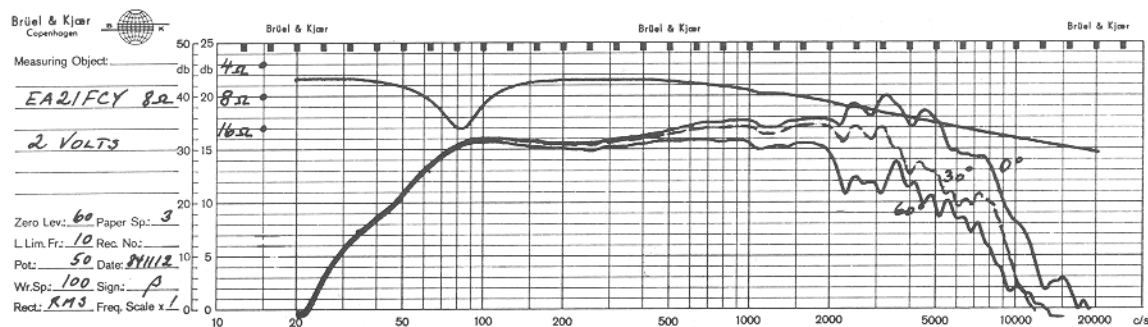
8 ohms

Recommended frequency range	37 - 3000	Hz	Voice coil inductance	1,1	mH
Nominal power (DIN 45573)	40	W	Voice coil resistance	5,7	ohms
Music power (DIN 45 500)	70	W	Effective diaphragm area	230	cm ²
Characteristic sensitivity (1m, 1w)	93	dB SPL	Moving mass	12	g
Operating power (DIN 45500)	2,0	W	Air load mass in baffle	2	g
Voice coil diameter	26	mm	Free air resonance	37	Hz
Voice coil height	12	mm	Mechanical suspension resistance	1,6	Ns/m
Air gap height	6	mm	Thiele - small parameters		
Flux density	1,25	T	Vas	98	litres
Force factor	7,0	Wb/m	Qms	2,0	
Recommended enclosure volumes:			Qes	0,38	
Closed cabinet	20 - 25	litres	Qts	0,32	
Bass reflex cabinet	20 - 30	litres			
Weight	1,20	kg			
Magnet weight	0,42	kg			

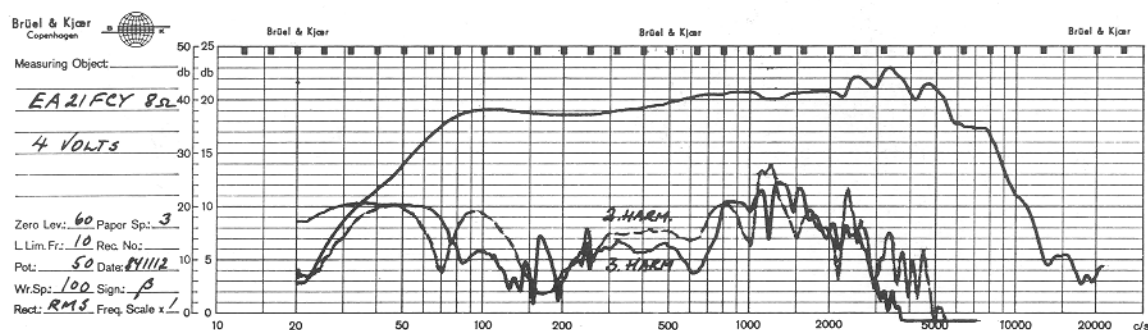
NOTES:

Response curves recorded in anechoic chamber (Free-Field, 4π -radiation) with 0.5 m microphone distance. The loudspeaker is mounted in a closed box of 20 l net volume:

A Sound pressure on and off axis, and impedance:

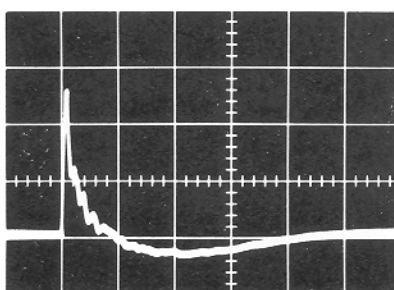


B Sound pressure and distortion on axis. The distortion components are raised by 20 dB:



C Sound pressure response to 4 Volts step function:

Sound
pressure
1.12 Pa/div



2 ms/div Time →

seas

Seas Fabrikker a.s
P.O.Box 600, Høyden, N-1501 Moss, Norway
Phone +47-32-65 811
Telex N 18419

Note: New telex no. 78419 SEAS N from June 20. 1985