



CA 17 RCY

CA 17 RCY, 6½" High Fidelity woofer

Chassis: magnesium, injection moulded, black.

Surround: rubber.

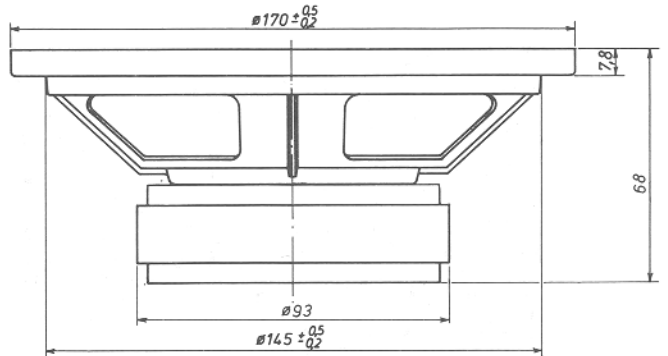
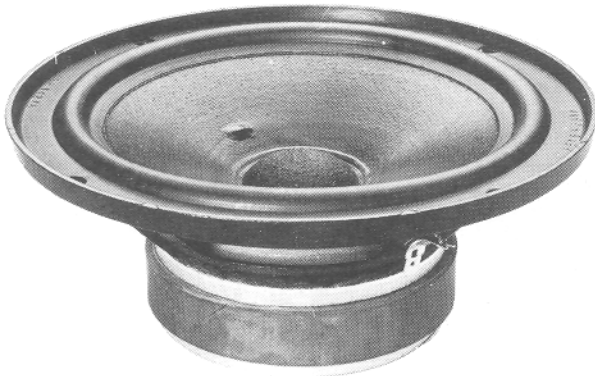
Cone: paper, coated.

Dust Cap: textile, coated.

Mounting holes: 4 x 5 mm, equispaced on PCD 156 mm

The CA 17 RCY is a 6½" woofer utilizing a selected paper cone and rubber surround. The unit has a smooth accurate performance which extends to 4000 Hz. The special treatment of the cone also produces a well behaved roll off characteristic which simplifies cross over design. The treatment of the cone reduces potential resonance problems.

The extra large magnet provides extra sensitivity and low Q.



Technical data:

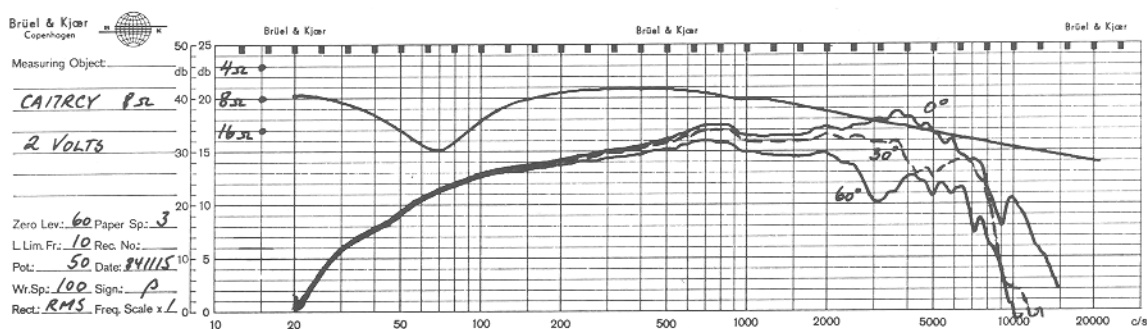
8 ohms

Recommended frequency range	40 - 4000	Hz	Voice coil inductance	1,1	mH
Nominal power (DIN 45573)	40	W	Voice coil resistance	5,7	ohms
Music power (DIN 45 500)	50	W	Effective diaphragm area	140	cm ²
Characteristic sensitivity (1m, 1w)	91	dB SPL	Moving mass	10	g
Operating power (DIN 45500)	3,2	W	Air load mass in baffle	1	g
Voice coil diameter	26	mm	Free air resonance	37	Hz
Voice coil height	12	mm	Mechanical suspension resistance	1,5	Ns/m
Air gap height	6	mm	Thiele - small parameters		
Flux density	1,25	T	Vas	46	litres
Force factor	7,0	Wb/m	Qms	1,7	
Recommended enclosure volumes:			Qes	0,30	
Closed cabinet	7 - 18	litres	Qts	0,25	
Bass reflex cabinet	10 - 20	litres			
Weight	1,1	kg			
Magnet weight	0,42	kg			

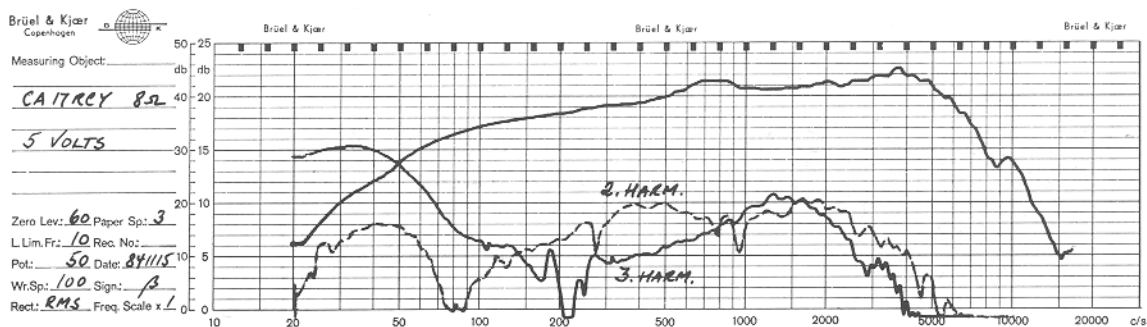
NOTES:

Response curves recorded in anechoic chamber (Free-Field, 4π -radiation) with 0.5 m microphone distance.
The loudspeaker is mounted in a closed box of 12 l net volume:

A Sound pressure on and off axis, and impedance:

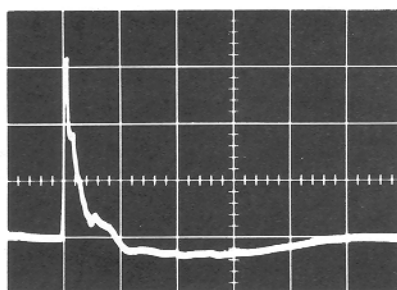


B Sound pressure and distortion on axis. The distortion components are raised by 20 dB:



C Sound pressure response to 4 Volts step function:

Sound
pressure
0.56 Pa/div



2 ms/div Time →



Seas Fabrikker a.s
P.O.Box 600, Høyden, N-1501 Moss, Norway
Phone +47-32-65 811
Telex N 18419

Note: New telex no. 78419 SEAS N from June 20. 1985