

**KEY FEATURES:**

**Nominal exit 101.6 x 25,4 mm (4" x 1")**  
**44 mm (1.75") voice coil diameter**  
**80 W Program Power Capacity (1-20 kHz)**  
**110 dB Sensitivity (2-15 kHz)**  
**Frequency range 1 - 18 kHz**  
**Neodymium magnetic structure**

The WS4 is high frequency line array wave source with exit 4" x 1". It is based on neodymium compression driver ND2545. It has an excellent sound pressure and very good linearity. WS4 is the best choice for line array systems.

## SPECIFICATION

Nominal exit	101.6 x 25,4 mm (4 x 1 in)
Nominal impedance	8/16 Ohms
Minimum impedance	6,35/12,7 Ohms
D.C. resistance	5,15/10,8 Ohms
Power capacity (1-20 kHz)	40W
Program Power Capacity (1-20 kHz)	80W
Sensitivity (2-15 kHz)	110 dB
Frequency range	1 - 18 kHz
Recommended crossover	1,5 kHz or higher 12 dB/oct.min
Voice coil diameter	44 mm (1,75 in.)
Flux density	1,95 T

Positive voltage on red terminal moves diaphragm toward the phasing plug

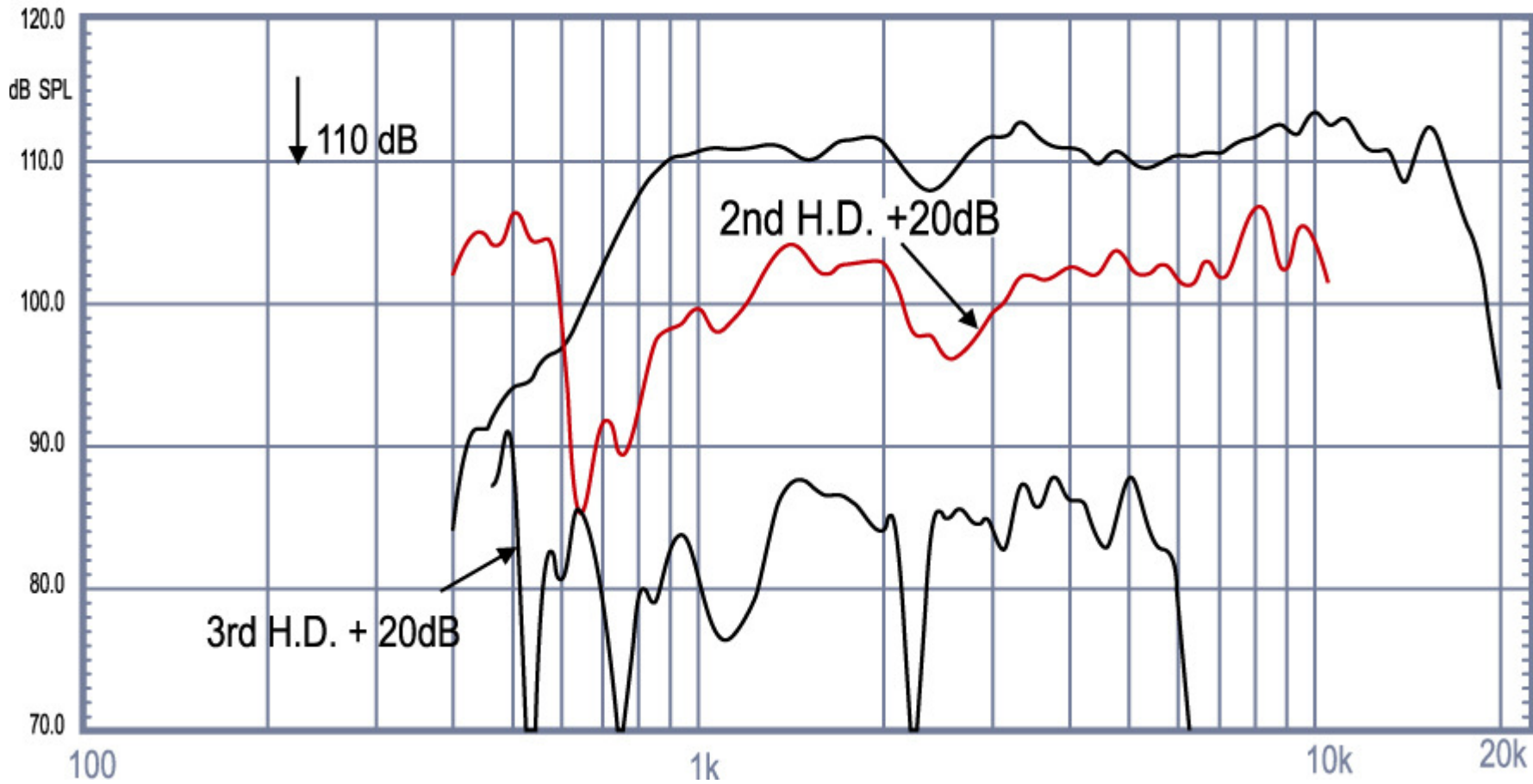
## MATERIALS OF CONSTRUCTION

Diaphragm	sandwich polyester
Voice coil material	Aluminium
Voice coil former	Kapton™

## MOUNTING INFORMATION

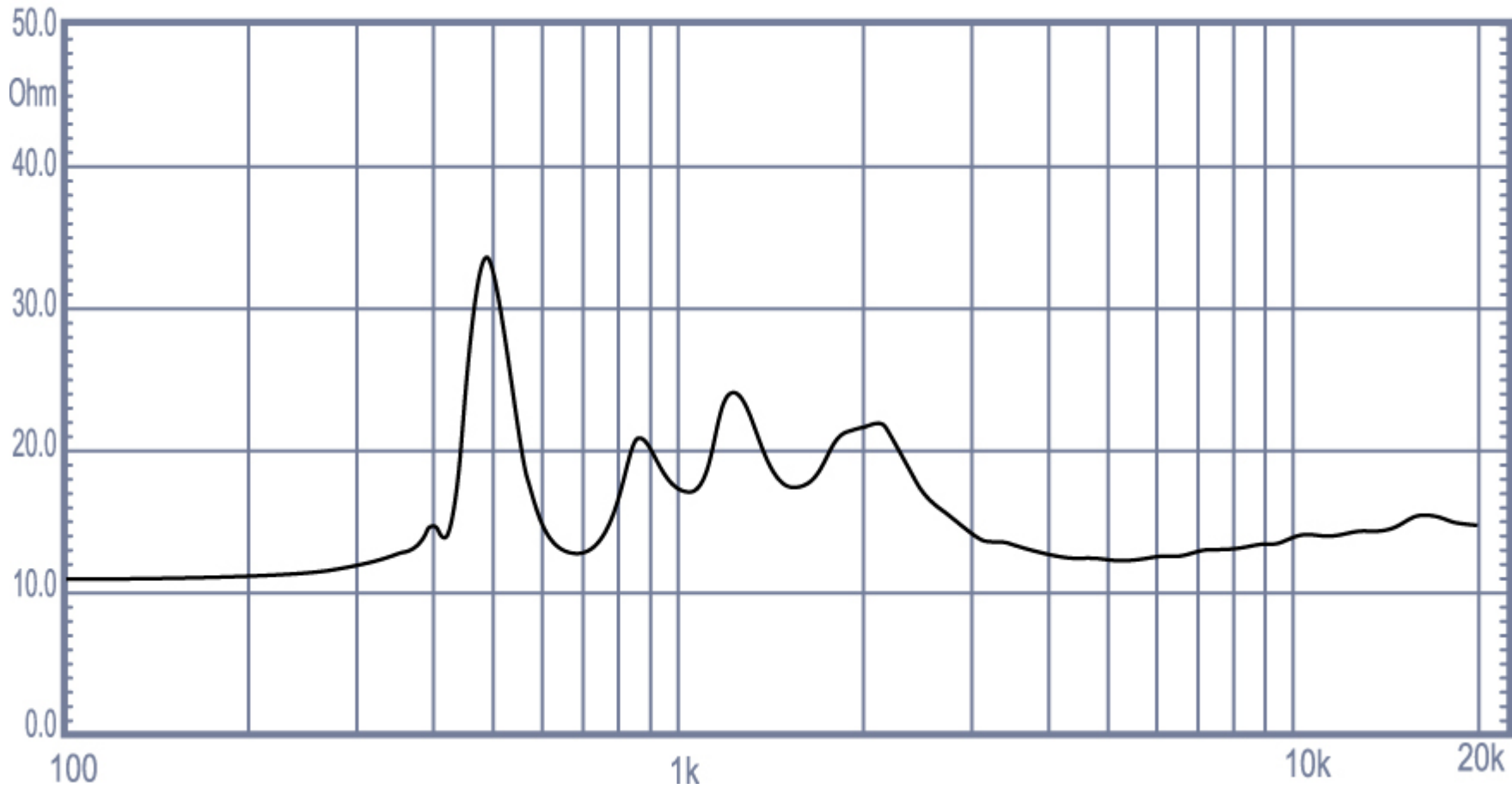
Overall dimensions	87 x 107 mm
Depth	170 mm
Mounting	4 x M5 on 74 x 50 mm
Net weight	1,3 kg

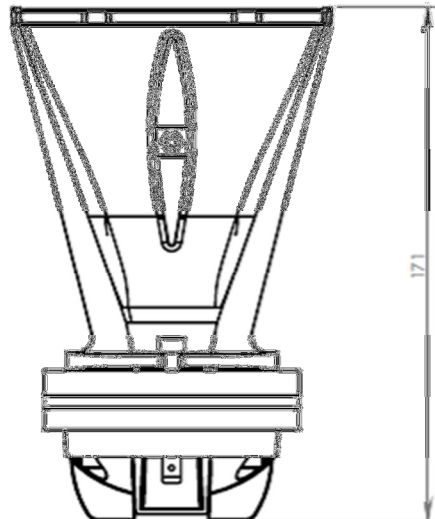
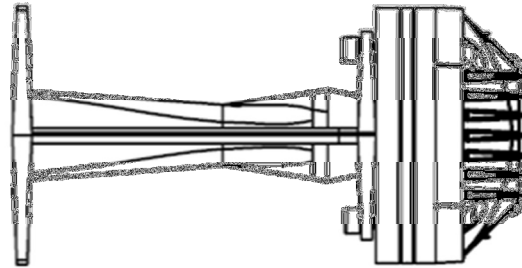
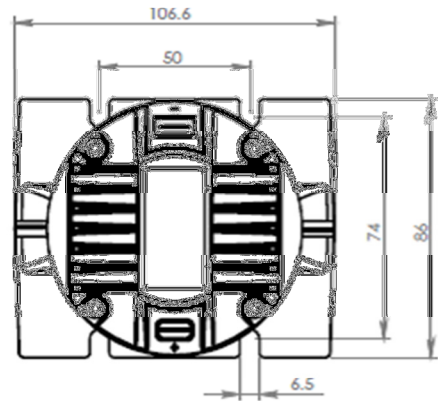
SPL 1W/1m OBERTON WS4/16 Ohms Horn 80x10 deg



OBERTON WS4/16 Ohms

Impedance





**OBERTON**

model: WS4

Dimensions are in mm

Scale: 1:2