

KEY FEATURES

- High power handling (100 W RMS)
- High mechanical resistance kevlar cone
- Designed for medium frequencies reproduction

TECHNICAL SPECIFICATIONS

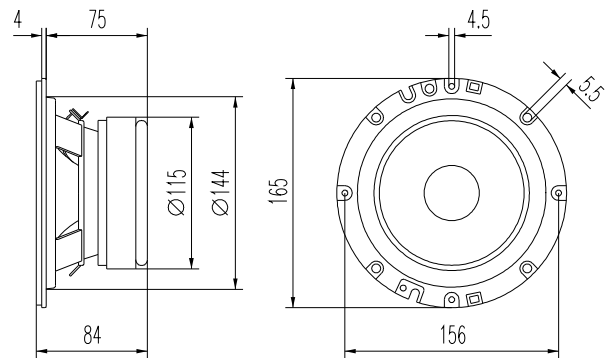
Nominal diameter	165 mm. 6.5 in.
Nominal impedance	4 ohms
Power handling / maximum	100 W RMS / 200 W
Sensitivity	92 dB 1w @ 1m
Frequency range	65 - 7000 Hz
Voice coil diameter	38.5 mm. 1.5 in.
Bl factor	6.7 N/A
Moving mass	0.012 Kg.

THIELE-SMALL PARAMETERS

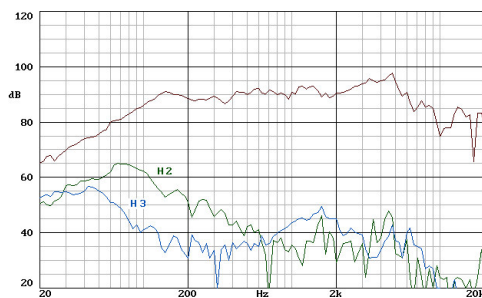
Resonant frequency, f_s	70 Hz
D.C. voice coil resistance, R_e	2.9 ohms.
Mechanical quality factor, Q_{ms}	8.45
Electrical quality factor, Q_{es}	0.34
Total quality factor, Q_{ts}	0.32
Equivalent air volume to C_{ms} , V_{as}	10 l
Efficiency, η_0 (%)	1
Effective surface area, S_d	130 cm ²
Voice coil inductance, L_e @ 1kHz	0.33 mH



DIMENSION DRAWINGS



FREQUENCY RESPONSE



Note: on axis frequency response measured with loudspeaker standing on infinite baffle in anechoic chamber, 1w @ 1m.

FREE AIR IMPEDANCE CURVE

